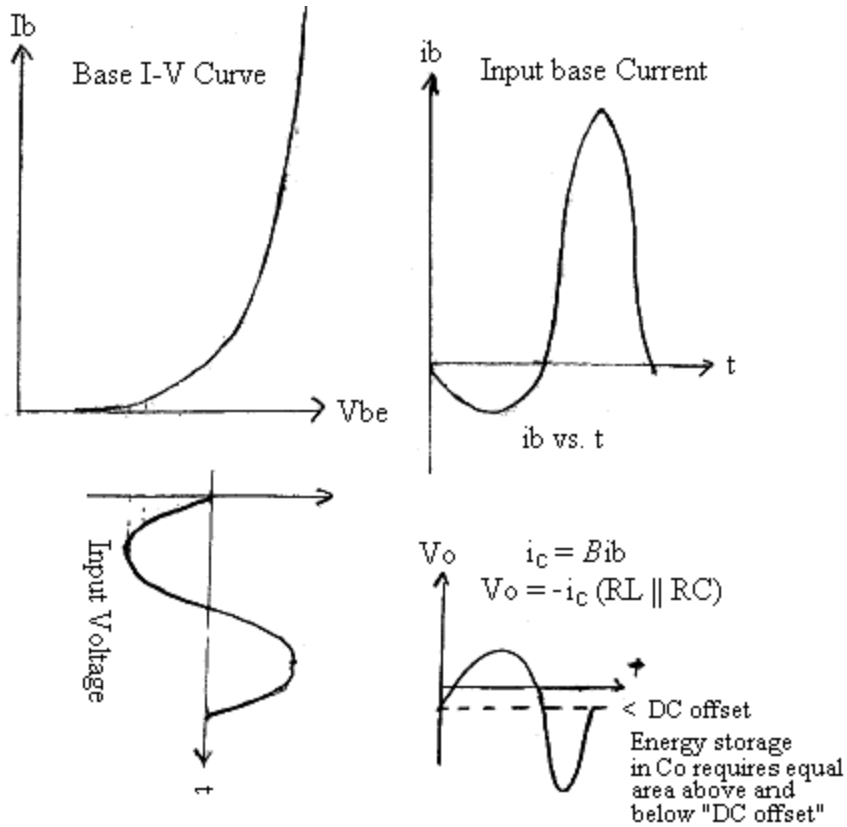
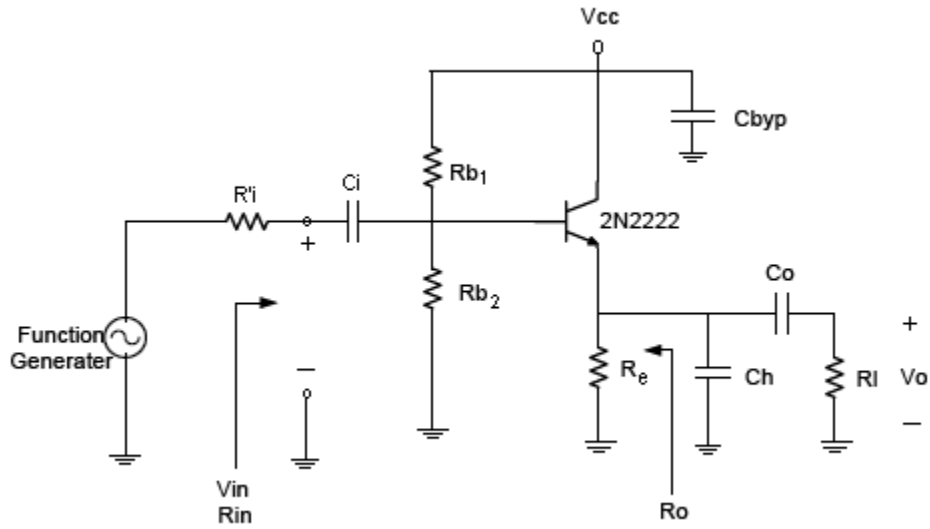


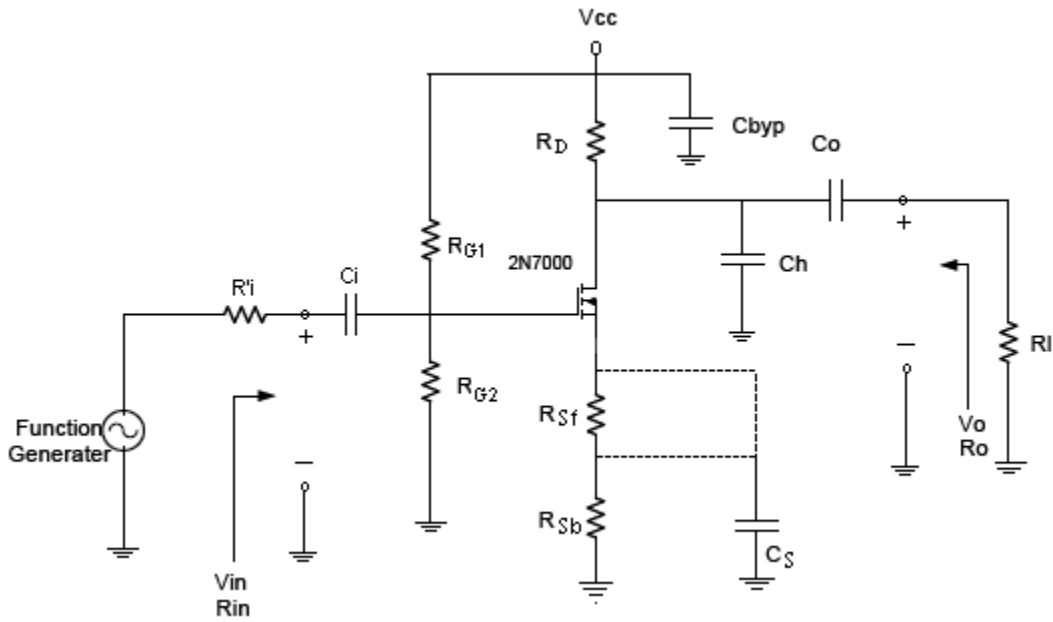
Common Emitter BJT Amplifier

Why is my CE BJT Amplifier output distorted?

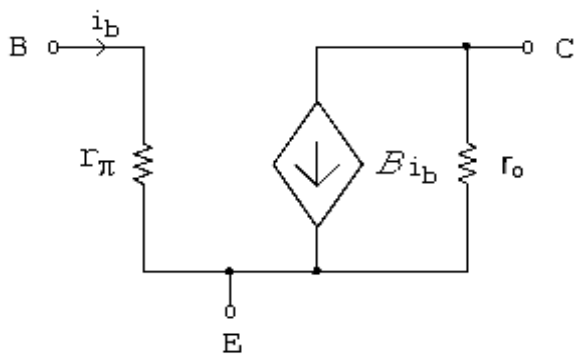




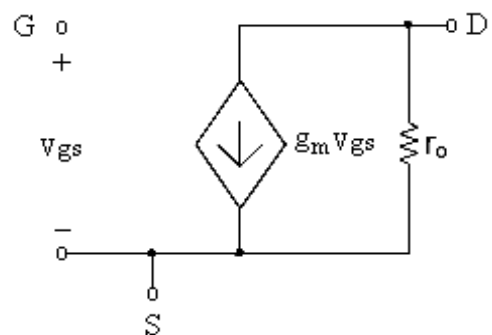
Common Collector BJT Amplifier



Common Source MOSFET Amplifier



Low Frequency Hybrid- π BJT Model



Low Frequency MOSFET Model